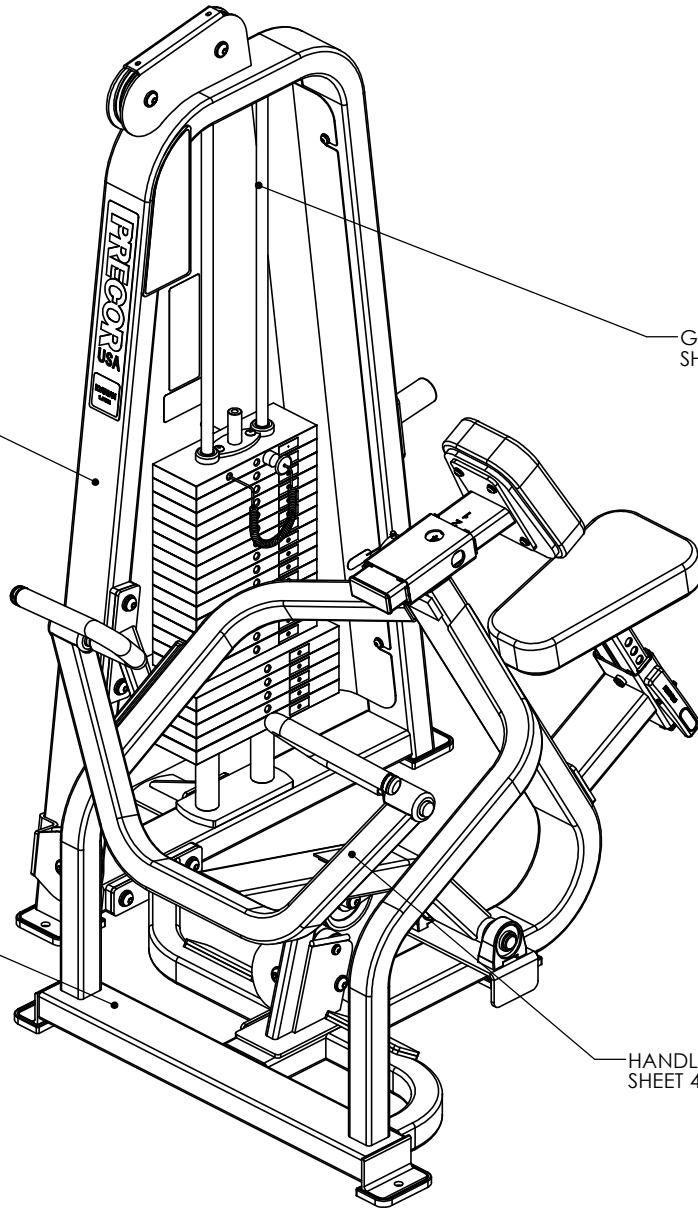


MAIN FRAME/COMPONENTS,  
SHEET 2

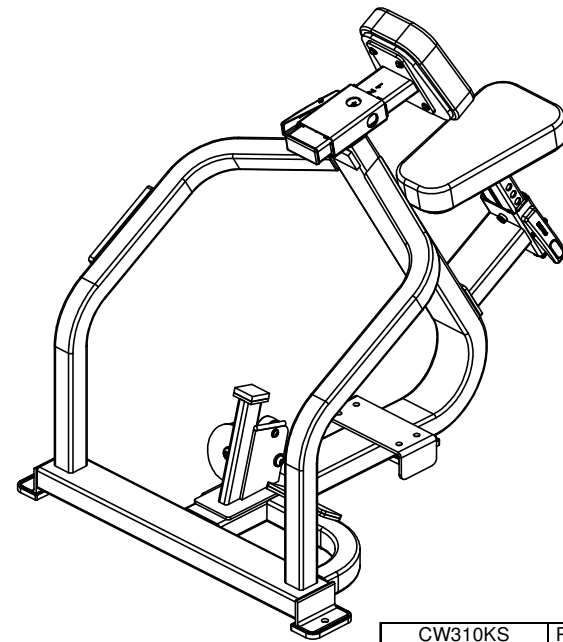
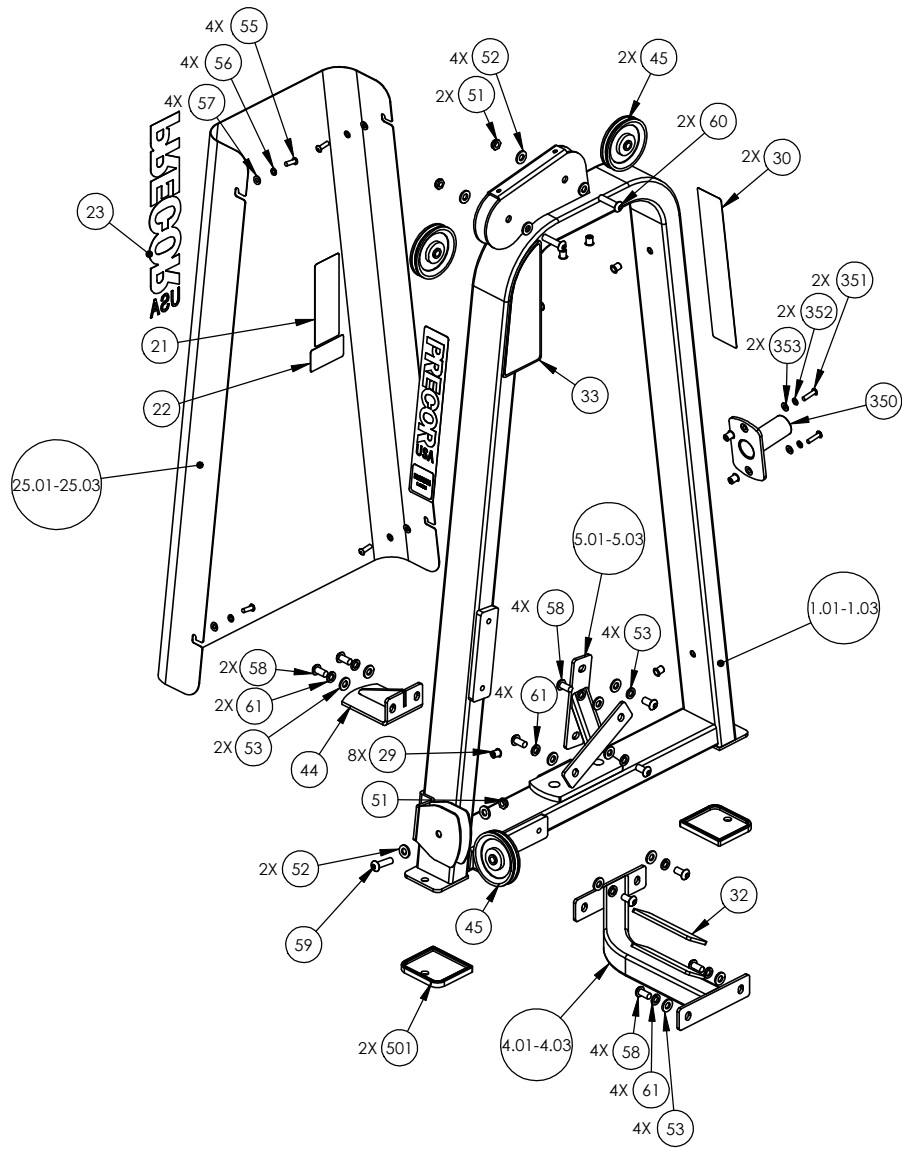
GUIDE RODS/WEIGHTS,  
SHEET 5

SEAT FRAME/COMPONENTS,  
SHEET 3

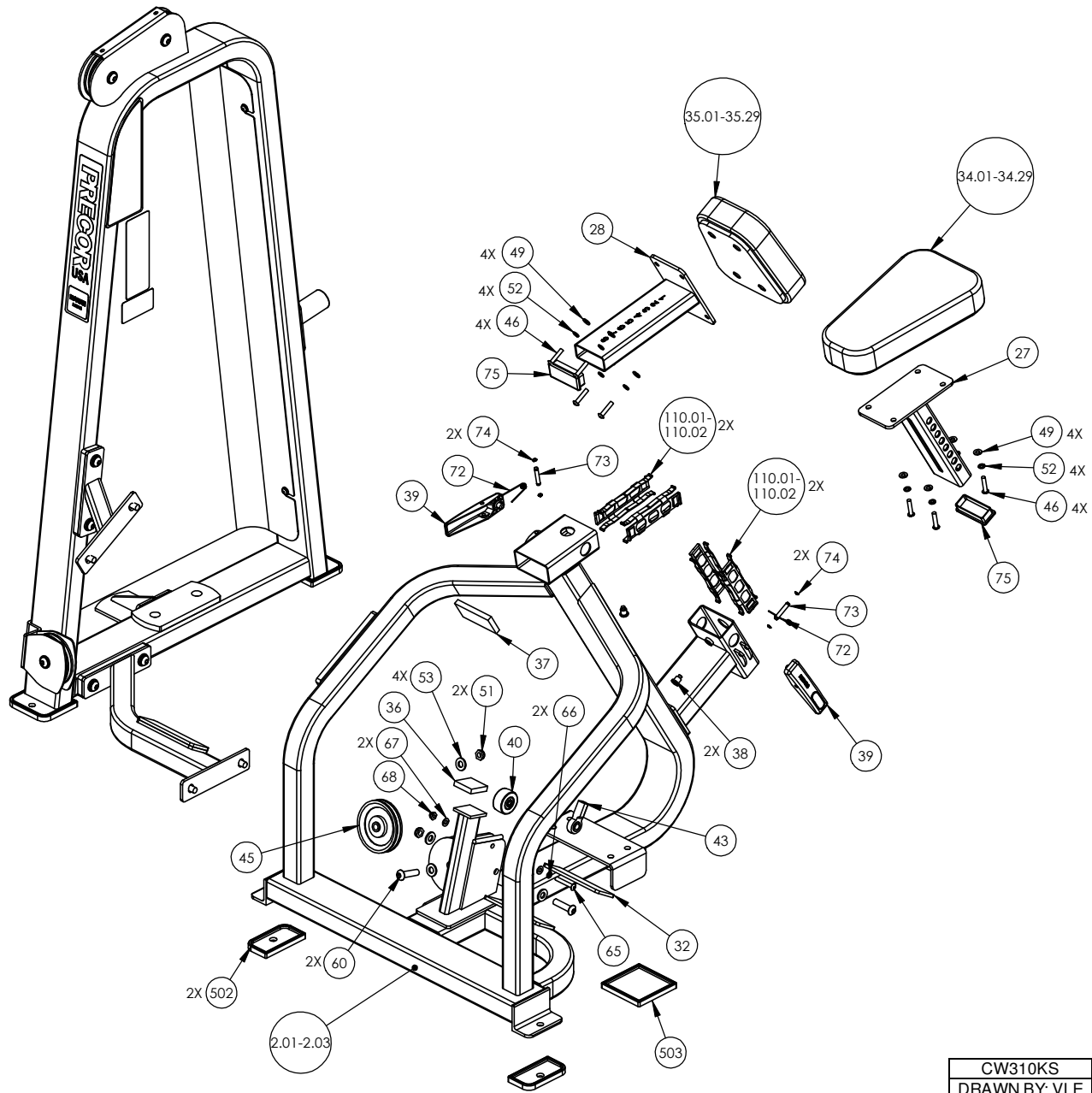
HANDLE/COMPONENTS,  
SHEET 4



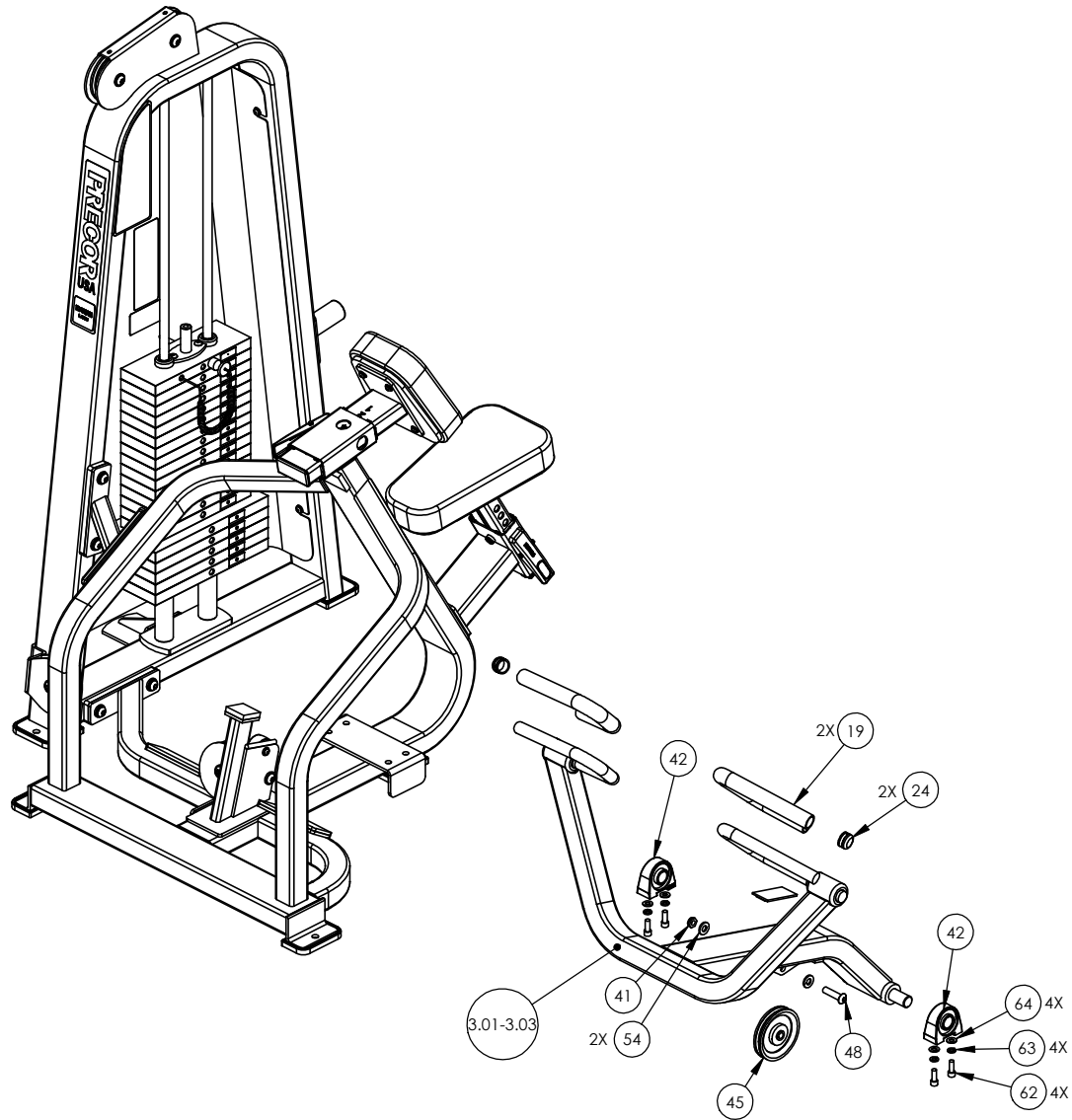
CW310KS	P/N: CW32849-101	SUBREV: C
DRAWN BY: VLE	DATE: 05.11.09	SHEET 1 OF 5



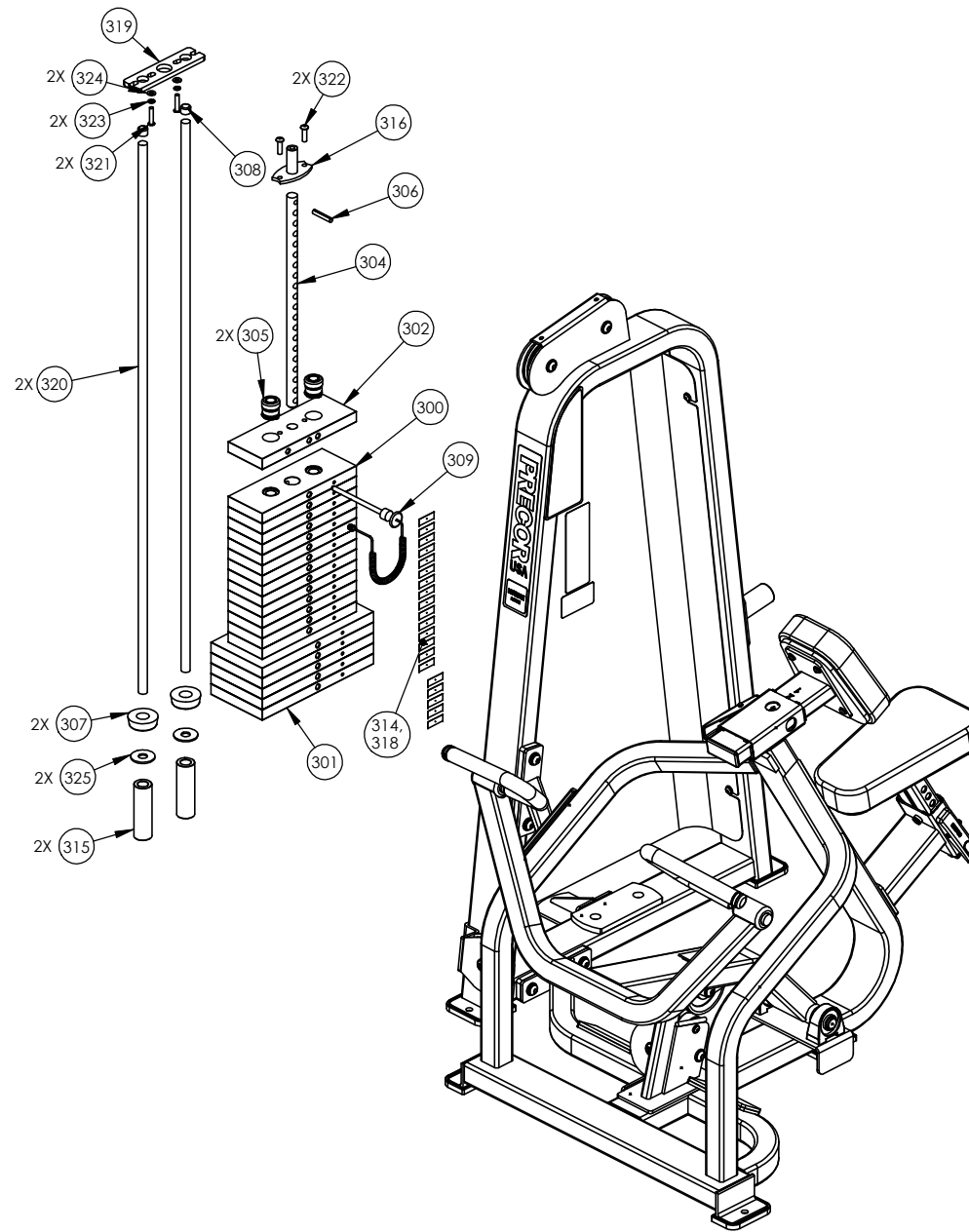
CW310KS	P/N: CW32849-101	SUBREV: C
DRAWN BY: VLE	DATE: 05.11.09	SHEET 2 OF 5



CW310KS	P/N: CW32849-101	SUBREV: C
DRAWN BY: VLE	DATE: 05.11.09	SHEET 3 OF 5



CW310KS	P/N: CW32849-101	SUBREV: C
DRAWN BY: VLE	DATE: 05.11.09	SHEET 4 OF 5



CW310KS	P/N: CW32849-101	SUBREV: C
DRAWN BY: VLE	DATE: 05.11.09	SHEET 5 OF 5

### 310KS Seated Row

Part Number	Description	Bubble Number
CW32809-321	WELDMENT, FRAME, MAIN, 310KS, TITAN	1.03
CW31031-322	WELDMENT, SEAT FRAME, 310, TITANIUM HG	2.03
CW33350-211	ASSY, HANDLE, CW310KS, SKY WHITE	3.01
CW33350-321	ASSY, HANDLE, CW310KS, TITANIUM	3.03
CW32906-211	ASSY, LOWER STRUT, CW310KS, SKY WHI	4.01
CW32906-321	ASSY, LOWER STRUT, CW310KS, TITANIU	4.03
CW310SA6-211	ASSY, UPPER STRUT, 310, SKY WHITE	5.01
CW310SA6-321	ASSY, UPPER STRUT, 310, TITANIUM HG	5.03
CWGR4620-000	GRIP, RUBBER, 1.00" OD HANDLE, 20.0	19
CWCLGP137-500	ASSY, CABLE, CW310KS	20
CW30010-102	LABEL, WARNING STRENGTH	21
CW30011-102	LABEL, WARNING WEIGHT STACK	22
CWAC218-901	HANDLE END CAP W/SET SCREWS, DIA 1"	24
CW32091-211	ASSY, SHROUD, #5, SKY WHITE	25.01
CW32091-301	ASSY, SHROUD, #5, CUSTOM	25.02
CW32091-321	ASSY, SHROUD, #5, TITANIUM, HG	25.03
CW32212-711	ASSEMBLY, SEATPAD ADJUSTMENT, 8 HO	27
CW32213-711	ASSEMBLY, CHEST ADJUSTMENT, ANGLE	28
CW12537-109	NUT, INSERT, THIN-NUT, LARGE FLANGE	29
CW31756-101	LABEL, PRECOR USA ICARIAN LINE	30
CW33587-101	ASSY, ABS BLACK, 1/8 X 1 3/4 X 3 1/	31
CW30013-202	CUT PIECE, CREPE, 1/4 THICK, 2.50 X	32
CW33349-101	ASSY, PLACARD, 310KS	33
CWPD1207B-101	PAD, 5X9X14.5, 4HOLES, W/BP, BLACK	34.01
CWPD1209B-101	PAD, 6.25X9X10, 4HOLES, W/BP, BLACK	35.01
CW30014-203	CUT PIECE, CREPE, 3/8 THICK, 2.00 X	36
CW30014-205	CUT PIECE, CREPE, 3/8 THICK, 2.00 X	37
CW31784-731	STOP PLUG, BLK ZN	38
CW32460-221	ASSY, RATCHETING LEVER, BLACK	39
CW11396-101	WHEEL, NEOPRENE RUBBER W/ BEARINGS	40
CW12406-101	PILLOW BLOCK, BEARING, 2 BOLT	42
CWCLFA1064-741	ROD END, FEMALE, STEEL, ZINC, CAD,	43
CW33286-731	WELDMENT, STABILITY FOOT, BLACK ZINC	44
CWAC1009-101	PULLEY, 4 1/2 DIA X 1/2 ID	45
CWTAYN031-150	SCREW, BUTTON HEAD, BLK XYLAN, 5/16	46
CWHCYN050-200	SCREW, HEX HEAD, BLK XYLAN, 1/2-13	48
CWWBKN031-007	WASHER, FLAT, TYPE A, SAE, 5/16 ID	49
CWKAYN050-031	LOCKNUT, NYLON INSERT, HALF, UNC, 1	51
CWWALYN031-008	WASHER, SPLIT, 5/16 ID, BL	52
CWWBKN050-010	WASHER, FLAT, TYPE A, SAE, 1/2 ID X	53
CWWBKN050-010	WASHER, FLAT, TYPE A, SAE, 1/2 ID X	54
CWTAYN031-100	SCREW, BUTTON HEAD, BLK XYLAN, 5/16	55
CWWALYN031-008	WASHER, SPLIT, 5/16 ID, BL	56
CWWBKN031-007	WASHER, FLAT, TYPE A, SAE, 5/16 ID	57
CWTAYN050-100	SCREW, BUTTON HEAD, BLK XYLAN, 1/2	58
CWTAYN050-175	SCREW, BUTTON HEAD, BLK XYLAN, 1/2	59
CWTAYN050-200	SCREW, BUTTON HEAD, BLK XYLAN, 1/2	60
CWWALYN050-013	WASHER, SPLIT, 1/2 ID, BLK XYLAN	61

CWCAYN038-100	SCREW, SOCKET HEAD, BLK XYLAN, 3/8	62
CWWALYN038-009	WASHER, SPLIT, 3/8 ID, BLK XYLAN	63
CWWBKN038-007	WASHER, FLAT, TYPE A, SAE, 3/8 ID	64
CWTAYN031-200	SCREW, BUTTON HEAD, BLK XYLAN, 5/16	65
CWWALYN031-008	WASHER, SPLIT, 5/16 ID, BL	66
CWWBKN031-007	WASHER, FLAT, TYPE A, SAE, 5/16 ID	67
CWKADLN031-053	NUT, ACORN, 5/16-18	68
CW12634-101	SPRING, TORSION 90 DEG X 0.484 X 0.	72
CW31770-742	LATCH PIVOTING PIN, CLR ZN	73
CWAMNN028-003	RING, RETAINING, 2-TURN, SPIRAL, SS	74
CW33626-901	GUIDE, THIN, TELESCOPING TUBE	110.01
CW33626-902	GUIDE, THCK, TELESCOPING TUBE	110.02
CWAC1133-101	BUSHING, WEIGHT PLATE, LDPE PLASTIC	203
CW30171-742	PIN, WEIGHT STACK, 6.00 INCHES, ZN	226
CW10519-721	PLATE, WEIGHT, 20 LBS, WRKL BLK	279
CW10510-721	ASSY, PLATE, WEIGHT, 10 LBS, WRKL B	300
CW10520-721	ASSY, PLATE, WEIGHT, 20 LBS, WRKL B	301
CW10550-723	PLATE, WEIGHT, MED TOP (MTP-S), 10	302
CW30132-712	SELECTOR STEM, 20 PLATE,0.875 DIA,	304
CW30184-902	ASSY,BARREL, TOP PLATE,ALUMINUM,TALL	305
CW58004-101	WEIGHT STACK BUSHING KIT, KS SERIES	305
CWLDNN038-200	SLOTTED PIN SPRING, DIA 3/8 X 2	306
CW12402-101	BUMPER, ID 1.050, BLK RUBBER	307
CW12404-101	CAP, GUIDE ROD, DIA 3/4, BLK	308
CW32937-101	WEIGHT STACK LABELS, 10-250, STAGGE	314
CW33323-721	STACK RISER, 5 INCH, WRINKLE BLACK	315
CW32663-741	WELDMENT, BOLT ON TOP PLATE MINI ST	316
CW32938-101	WEIGHT STACK LABELS, 10-300, STAGGE	318
CWPF1016-732	BAR,,FLAT CR/HR, 3/8 X 2 X 8 1/4, 3	319
CWPF1214-711	GUIDE ROD,STEEL,OD 3/4 X 52 5/8, CH	320
CWTAYN031-150	SCREW, BUTTON HEAD, BLK XYLAN, 5/16	321
CWTAYN038-125	SCREW, BUTTON HEAD, BLK XYLAN, 3/8	322
CWWALYN031-008	WASHER, SPLIT, 5/16 ID, BL	323
CWWBKN031-007	WASHER, FLAT, TYPE A, SAE, 5/16 ID	324
CWWCKN075-015	WASHER, FLAT, TYPE A, WIDE, 3/4 ID	325
CW32938-101	WEIGHT STACK LABELS, 10-300, STAGGE	333
CW31772-741	ASSY, ADD-ON WEIGHT HORN, CLEAR ZIN	350
CWTAYN031-150	SCREW, BUTTON HEAD, BLK XYLAN, 5/16	351
CWWALYN031-008	WASHER, SPLIT, 5/16 ID, BL	352
CWWBKN031-007	WASHER, FLAT, TYPE A, SAE, 5/16 ID	353
CWAC1177-101	FLOOR PROTECTOR, RUBBER, 4.563 X 4.	501
CWAC1179-101	FLOOR PROTECTOR, RUBBER, 4.813 X 2.	502
CWAC1181-101	FLOOR PROTECTOR, RUBBER, 4.563 X 4.	503
CW58004-101	WEIGHT STACK BUSHING KIT, KS SERIES	600